

**ROLLERFEED**

SILVER

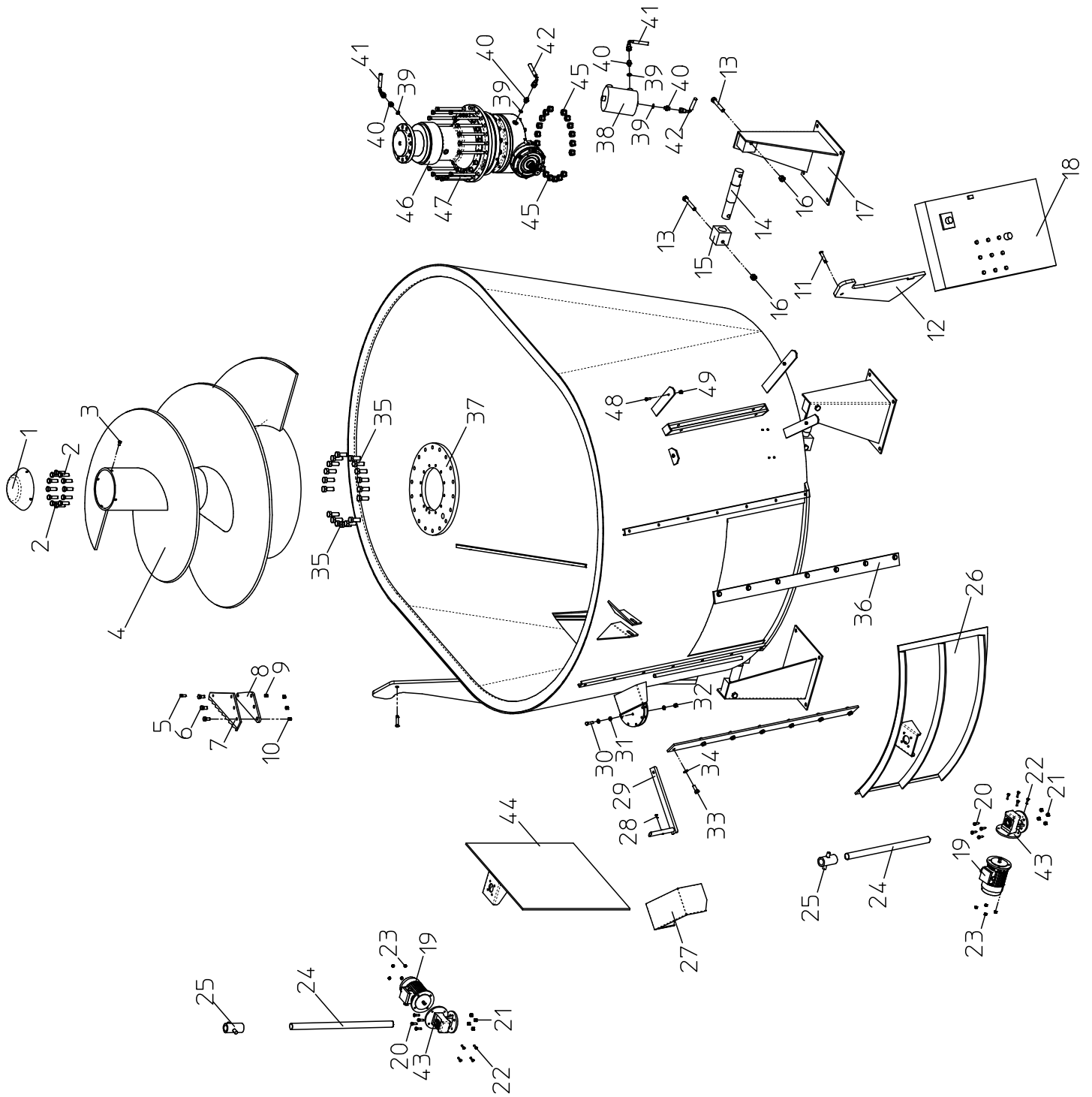
 **LUCLAR**  
INTERNATIONAL

**16**

**SPARE  
PARTS**

**MATR.12582**



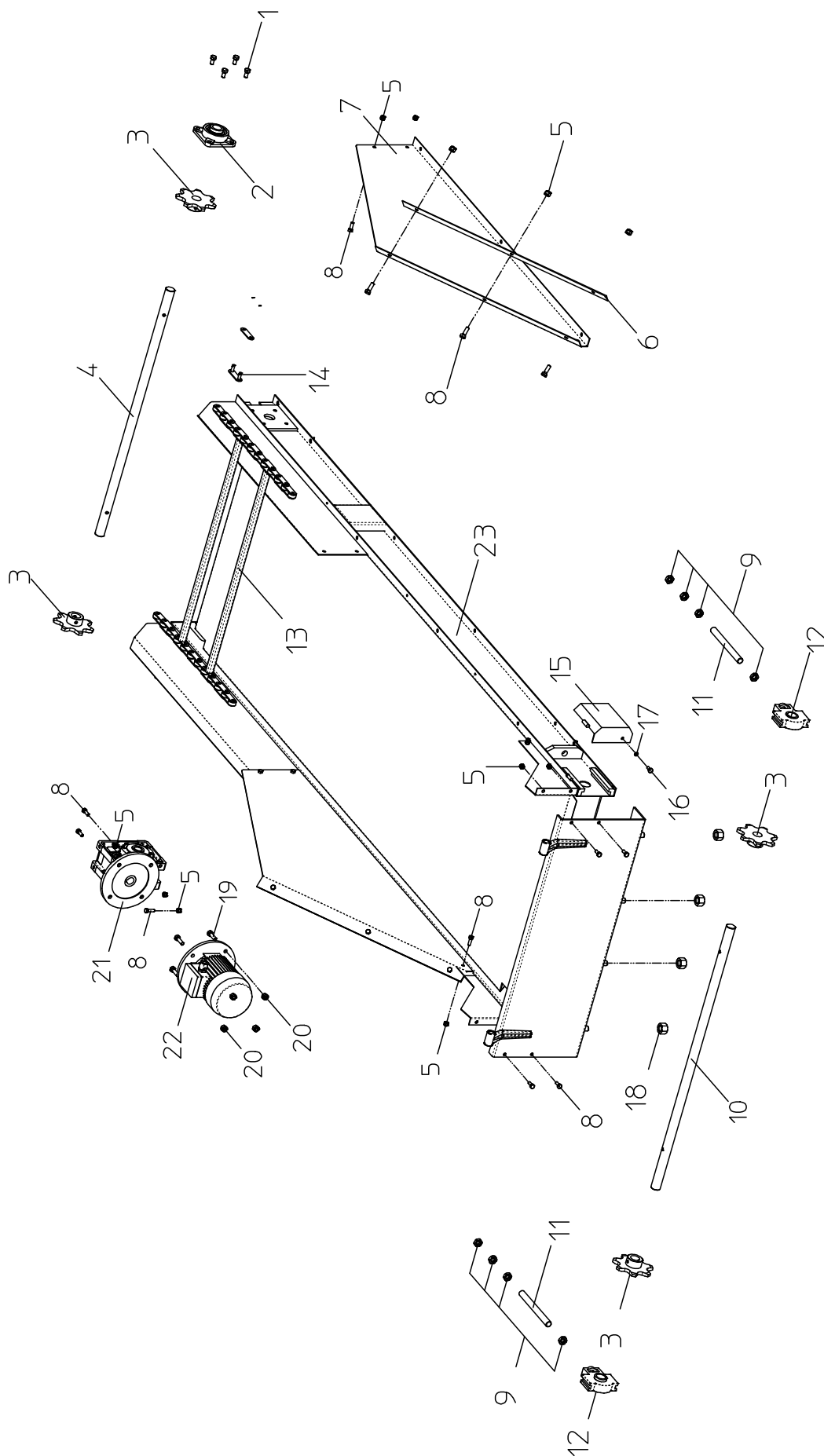


VASCA E TRASMISSIONE - WANNE UND TRANSMISSION - TANK AND TRANSMISSION - CUVE ET TRANSMISSION

1.	321100010	Coperchio	Deckel der Radnabe	Hub cap	Chapeau de roulement
2.	125020050	Vite	Schraube	Screw	Vis
3.	128008030	Vite	Schraube	Screw	Vis
4.	100030142	Coclea	Schnecken	Auger	Vis
5.	128010030	Vite	Schraube	Screw	Vis
6.	124016055	Vite	schraube	Screw	Vis
7.	110010122	Coltello	Messer	Knife	Couteau
8.	110010400R	Sottocoltello	Untermesser	Under knife	Sous contea
9.	121000010	Dado	Mutter	Nut	écrous
10.	121000016	Dado	Mutter	Nut	écrous
11.	19100075	Perno	Bolzen	Pivot	Pivot
12.	115001010	Controcoltello	Gegemesser	Counter knife	Contrecouteaux
13.	128018120	Vite	Schraube	Screw	Vis
14.	360003402	Cella	Wiegezelle	Load cell	Jauge de contrainte
15.	145000558	Supporto cella	Wiegezellehalterung	Load cell support	Support de la jauge de contrainte
16.	121000018	Dado	Mutter	Nut	écrous
17.	.....	Appoggio	Stutzfuss	Support foot	Bequille
18.	.....	Quadro elettrico	Elektrische schaltung	Switch board	Panneau electrique
19.	400001100	Motore elettrico	Elektrische motor	Electric engim	Moteur electrique
20.	128010035	Vite	schraube	Screw	Vis
21.	121000010	Dado	Mutter	Nut	écrous
22.	128008030	Vite	Schraube	Screw	Vis
23.	121000008	Dado	Mutter	Nut	écrous
24.	400000300	Barra filettata	Gewindestange	Threaded rod	Tige filetée
25.	400000400	Supporto paratoia	Schieber halterung	Sluice's gate support	Support plate de trappe
26.	321100060	Paratoia	Schieberplatte	Sluice gate's long flat bar	Plat de trappe
27.	32MT03040	Supporto pesa	Wiegehalterung	Weighing system support	Support bascule
28.	128006016	Vite	Schraube	Screw	Vis
29.	32MT03050	Supporto pesa	Wiegehalterung	Weighing system support	Support bascule
30.	128012050	Vite	Schraube	Screw	Vis
31.	129200120	Rondella	Beilagscheibe	Washer	Rondelle
32.	121000012	Dado	Mutter	Nut	écrous
33.	128012030	Vite	Schraube	Screw	Vis
34.	129200120	Rondella	Beilagscheibe	Washer	Rondelle
35.	128020070	Vite	Schraube	Screw	Vis
36.	321100050	Guide per paratoia	Schieberfuehrungen	Sluice gate guides	Guides pour trappe
37.	191500009	Flangia	Flansch	Flange	Bride
38.	.....	Serbatoio	Tank	Tank	Réservoir
39.	280004030	Rondella	Beilagscheibe	Washer	Rondelle
40.	280001010	Nipplo	Nippel	Nipple	Nipple
41.	2814200353	Tubo	Schlauch	Tube	Tube
42.	2814200353	Tubo	Schlauch	Tube	Tube
43.	400R00050	Motoriduttore	Motorghetribbe	Gear motor	Motoreducteur
44.	321100065	Paratoia	Schieberplatte	Sluice gate's long flat bar	Plat de trappe
45.	121000020	Dado	Mutter	Nut	écrous
46.	202400630	Riduttore	Untersetzungsgetriebe	Reduction gear	Riducteur
47.	128014190	Vite	Schraube	Screw	Vis
48.	128010030	Vite	Schraube	Screw	Vis
49.	121000010	Dado	Mutter	Nut	écrous

TAPPETO DI SCARICO - AUSLAUFBAND  
DISCHARGE CONVEYOR - TAPIS DE DECHARGEMENT

TAVOLA RLF 02



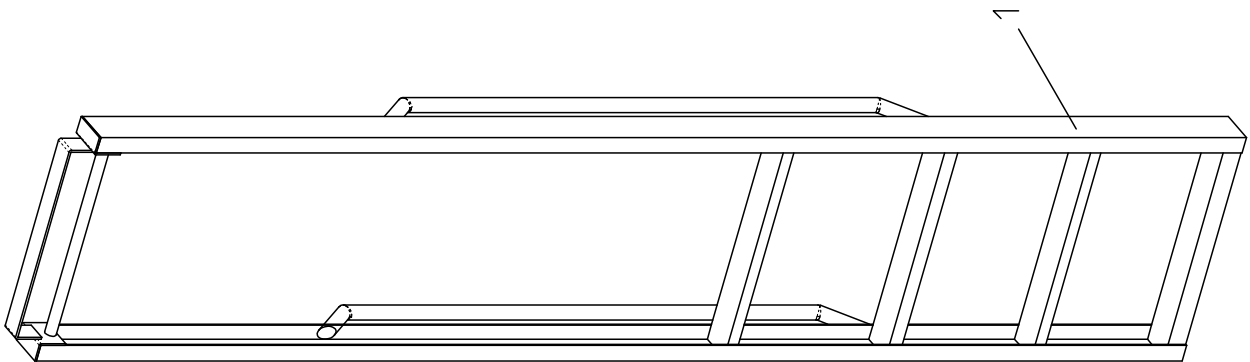
TAPPETO DI SCARICO - AUSLAUFBAND - CONVEYOR DECHARGEMENT - TAPIS DE DECHARGEMENT

1.	125012035	Vite	Schraube	Screw	Vis
2.	142001038	Supporto UCF 206	Traeger UCF 206	Support UCF 206	Support UCF 206
3.	22300M010	Ingranaggio	Kettenzahnrad	Sprocket for noiseless chain	Pignon pour chain
4.	191000091	Albero motore	Antriebswelle	Motor shaft	Arbre
5.	121000008	Dado	Mutter	Nut	écrous
6.	.....	Piatto supporto gomma	Platte gummihalter	Plate for rubber support	Plaque de support en caoutchouc
7.	L30000955	Sponda tappeto	Band seiten	Belt sides	Dossiers du tapis
8.	128008025	Vite	Schraube	Screw	Vis
9.	121100016	Dado	Mutter	Nut	écrous
10.	191000094	Albero tendi catena	Kettenspannerwelle	Chain stretcher shaft	Arbre tendeur de chaine
11.	129000016	Barra filettata	Gewindestange	Threaded rad	Tige filetée
12.	142001100	Supporto UCT 206	Traeger UCT 206	Support UCT 206	Support UCT 206
13.	.....	Catena	Kette	Chain	Chaine
14.	213200085	Maglia di giunzione	Kettenschloss	Chain link	Maille de jonction
15.	L30001018	Coperchio	Deckel der Radnabe	Hub cap	Chapeau de roulement
16.	128006012	Vite	Schraube	Screw	Vis
17.	129200060	Rondella	Beilagscheibe	Washer	Rondelle
18.	121000016	Dado	Mutter	Nut	écrous
19.	128010035	Vite	Schraube	Screw	Vis
20.	121000010	Dado	Mutter	Nut	écrous
21.	400R00010	Motoriduttore	Motorgetriebe	Gearmotor	Motoreducteur
22.	400001107	Motore elettrico	Elektrische	Electric engim	Moteur electrique
23.	3200M1225	Carpenteria	Tragkonstruktionen	Carpentry	Charpentes

PIATTAFORMA - PLATTFORM

PLATFORM - PLATEFORME

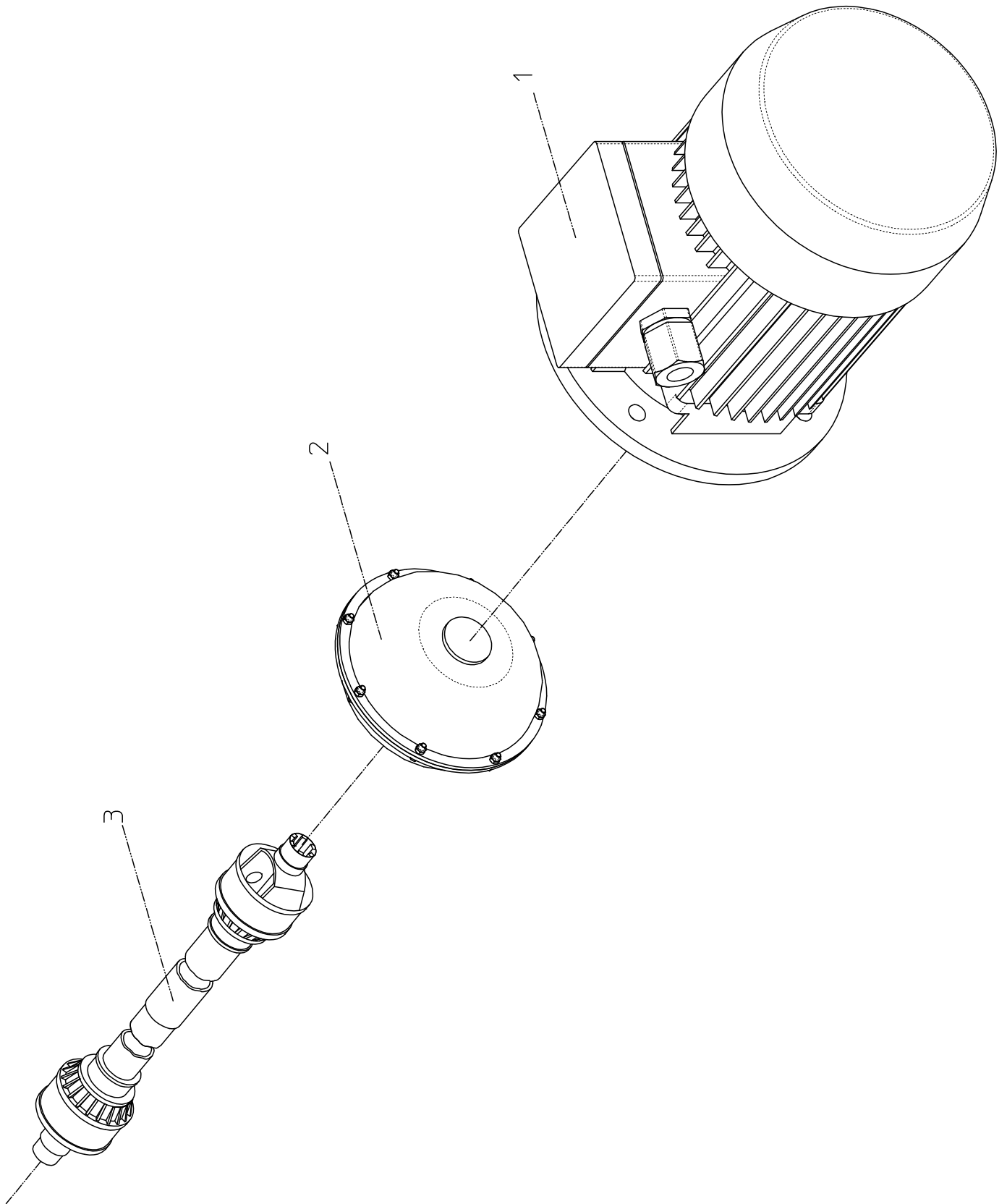
TAVOLA RLF 03



PIATTAFORMA - PLATTFORM - PLATFORM - PLATEFORME

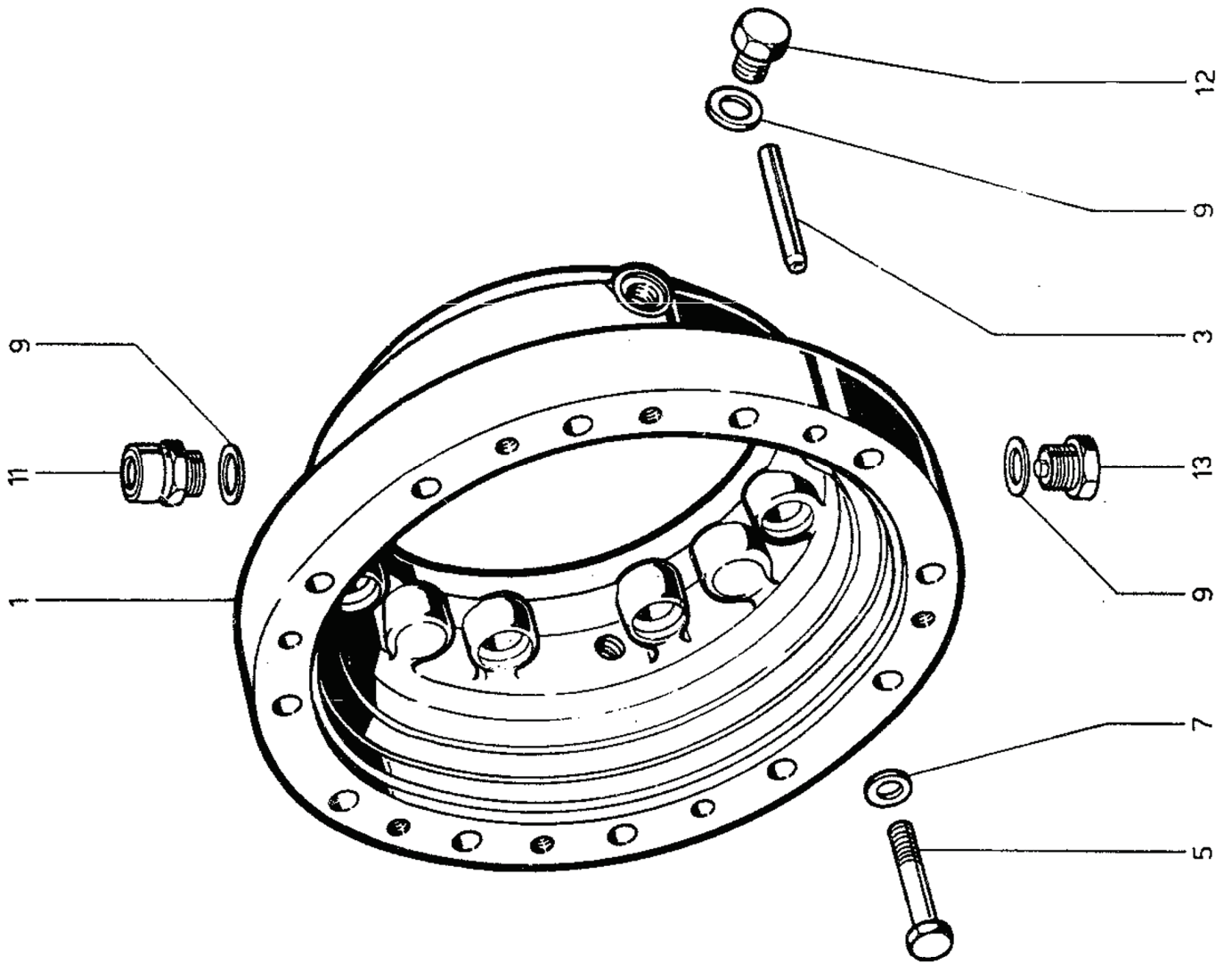
1. .... Piattaforma                  Plattform                          Platform                          Plate-forme





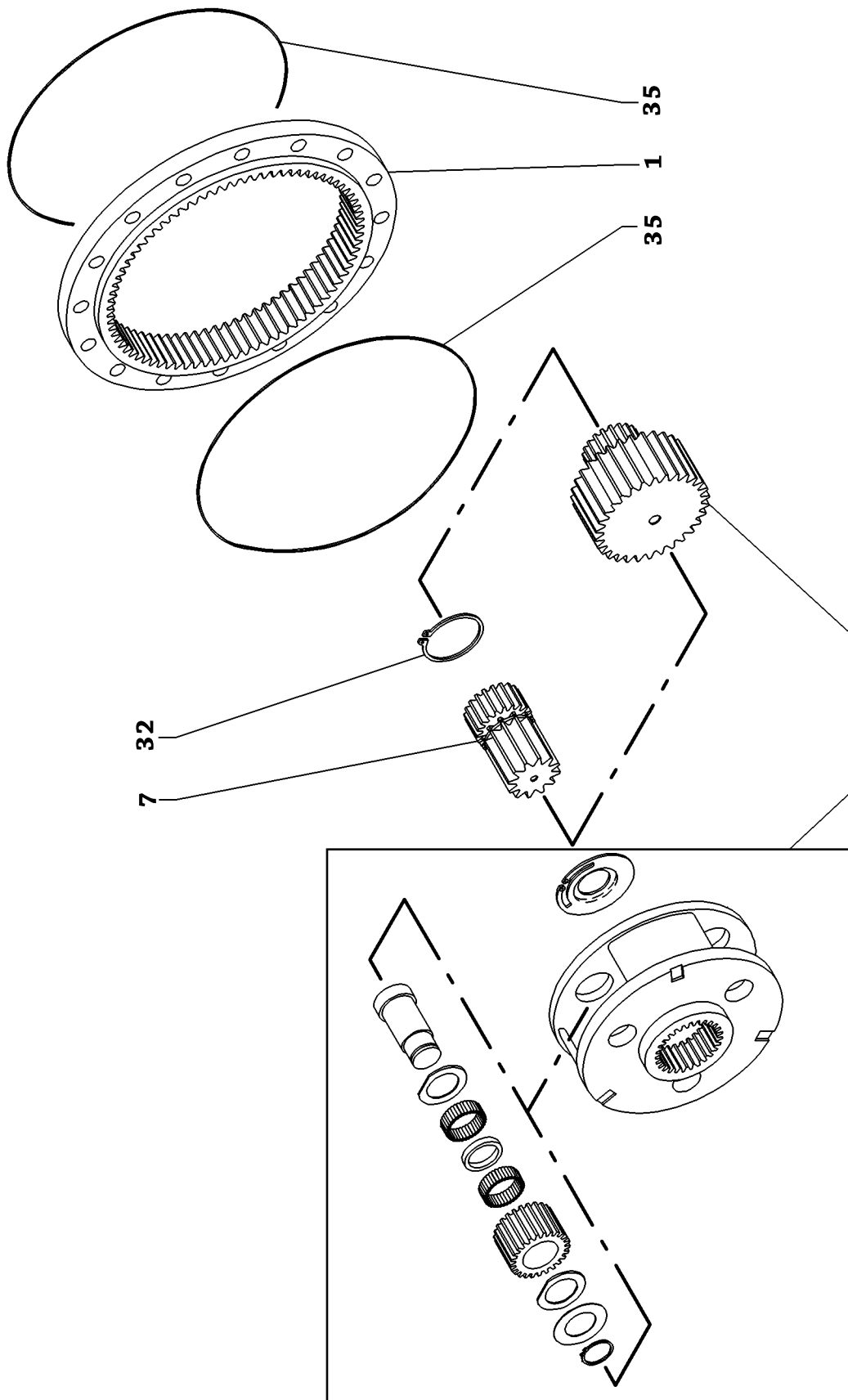
TRASMISSIONE - TRANSMISSION

1.	400001122	Motore elettrico B3	Elektrische motor B3	Electric engim B3	Moteur electrique B3
2.	400002300	Giunto oleodinamico	Oldinamic binder	Oldinamic joint	Joint
3.	310016016	Cardano	Kardan	PTO shaft	Gardan



FLANGIATURA INTERMEDIA - ZWISCHENFLANSCH - INTERMED. FLANGE - BRIDE INTERMED.

1.	342024140	Flangia intermedia	Zwischenflansch	Intermed. flange	Bride intermed.
2.	438396401	Spina elastica Ø10x60	Spannstift	Spring pin	Goupille elast.
3.	461111000	Vite M10x65	Schraube	Screw	Vis
4.	469075000	Rondella "Dowty" Ø11.13	Dowty Scheibe	Dowty Washer	Rondelle Dowty
5.	417003001	Rondella 17x23	Unterlegsscheibe	Washer	Rondelle
6.	451064000	Tappo sfiato G3/8"	Stopfen	PLug	Bouchon
7.	451104000	Tappo"oil level"G3/8"	Stopfen	Plug	Bouchon
8.	451204000	Tappo"magnetic"G3/8"	Stopfen	Plug	Bouchon

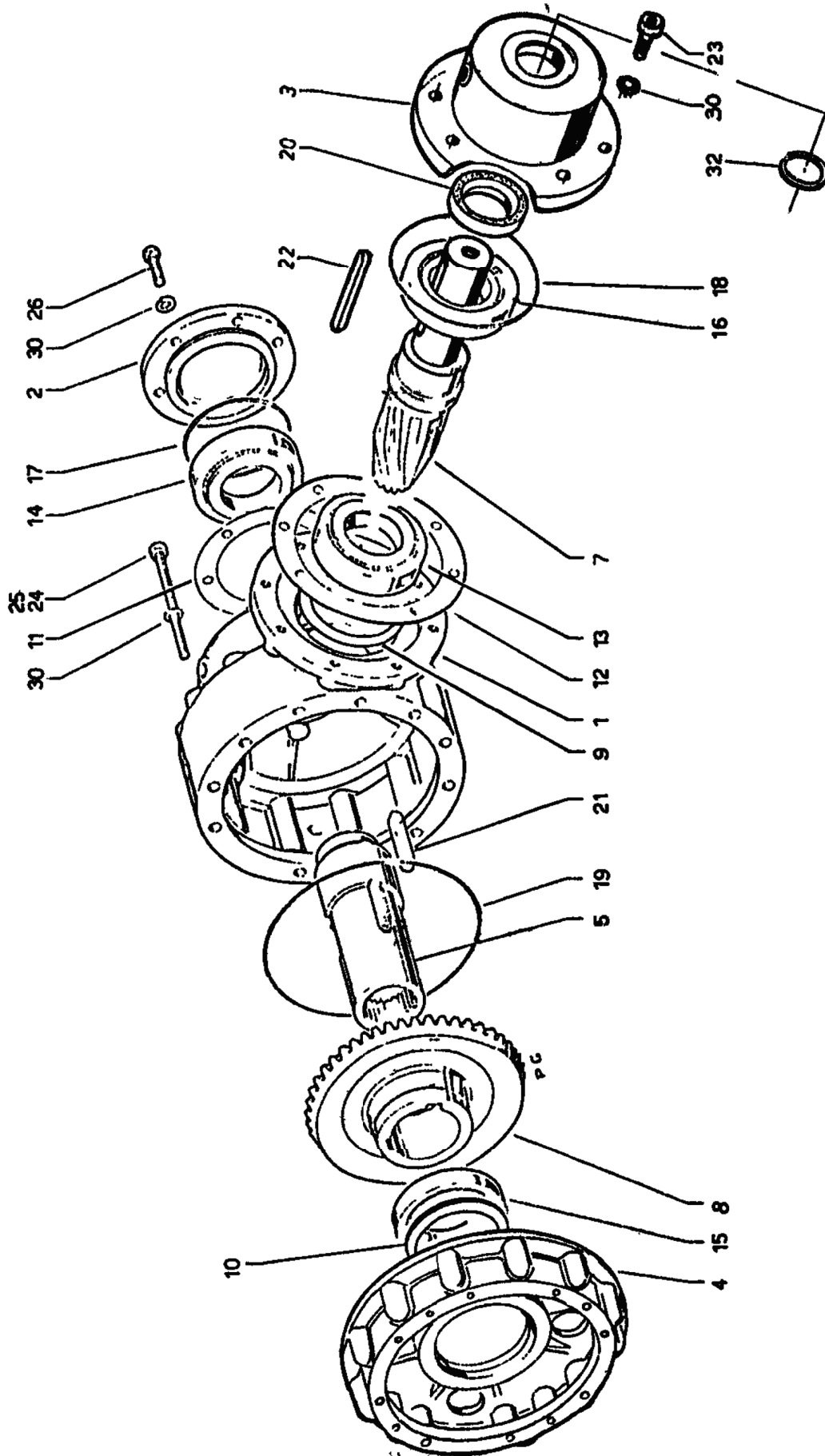


8-9-10-11-12 3-4-5-6

RIDUZIONE EM 1045 - GETRIEBESTUFE - REDUCTION STAGE EM 1045 - REDUCTION EM 1045

1.	320014211	Corona	Hohlrad	Ring-gear	Couronne
2.	327307303	Solare	Ritzel	Pinion	Pignon
3.	327308303	Solare	Ritzel	Pinion	Pignon
4.	327309303	Solare	Ritzel	Pinion	Pignon
5.	327310303	Solare	Ritzel	Pinion	Pignon
6.	327311303	Solare	Ritzel	Pinion	Pignon
7.	431040000	Anello seeger	Seegerring	Circlip	Joint torique
8.	412209000	Riduzione	Getriebestufe	Reduction stage	Reduction
9.	211C42200	Riduzione	Getriebestufe	Reduction stage	Reduction
10.	211C42300	Riduzione	Getriebestufe	Reduction stage	Reduction
11.	211C42500	Riduzione	Getriebestufe	Reduction stage	Reduction
12.	211C42700	Riduzione	Getriebestufe	Reduction stage	Reduction
13.	211C43000	Riduzione	Getriebestufe	Reduction stage	Reduction

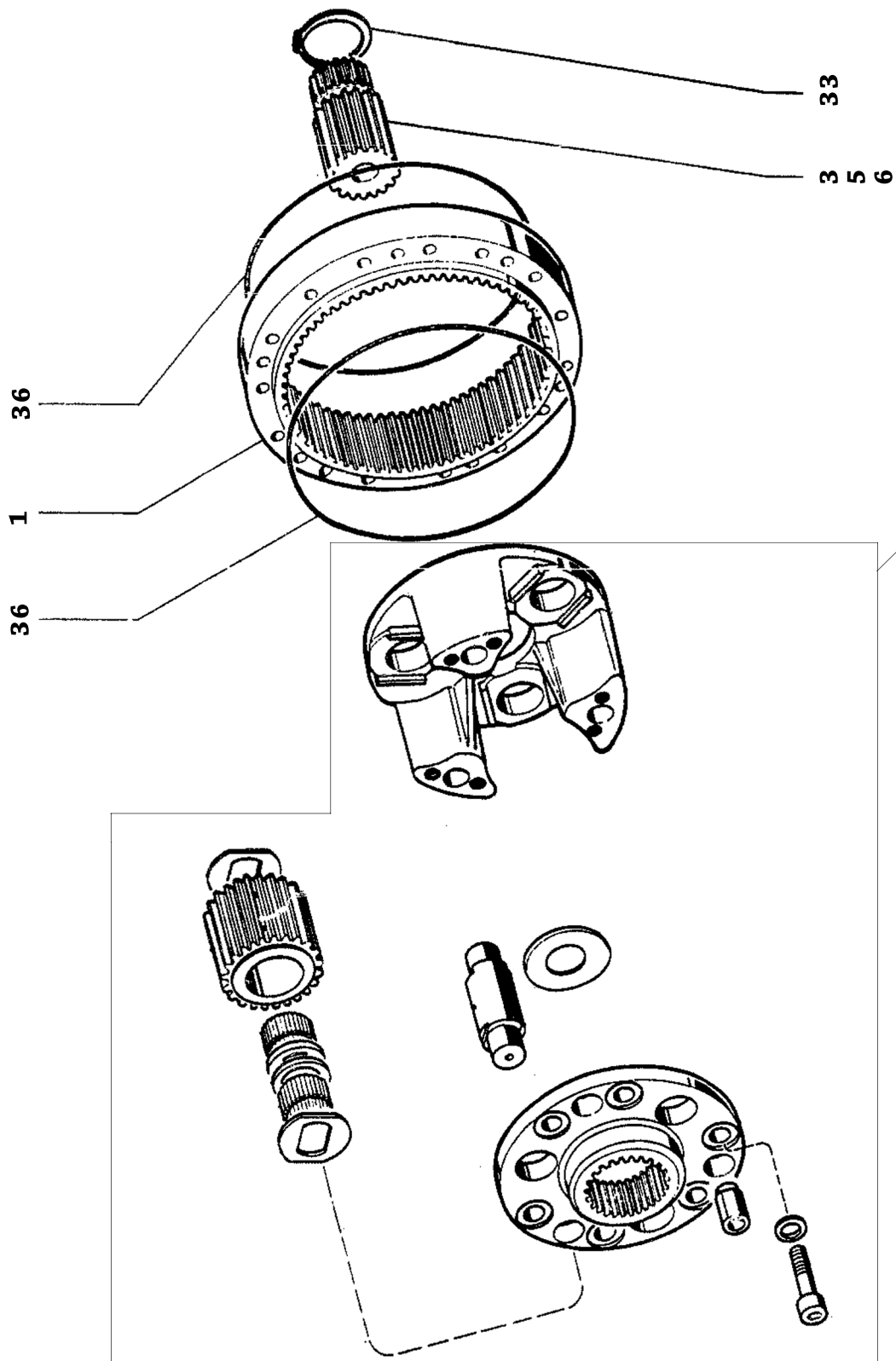
HOUSING - CARTER



COPPIA CONICA - WINKELSTUFE - BEVEL GEAR - COUPLE CONTIQUE

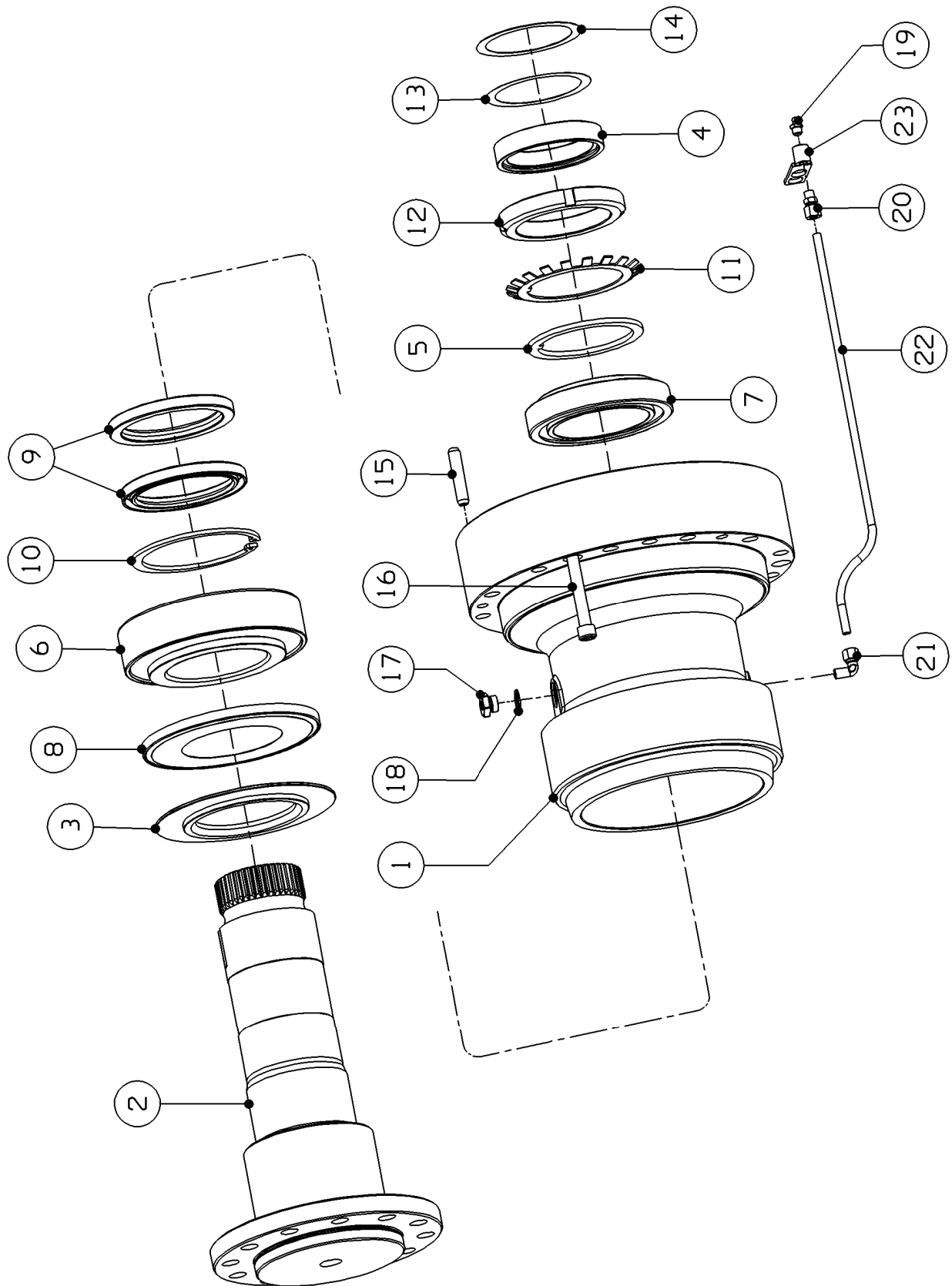
1.	350062140	Carter	Gehaeuse	Housing	Carter
2.	353001340	Coperchio	Deckel	Cover	Couvercle
3.	349021240	Flangia	Flansch	Flange	Bride
4.	342116240	Flangia intermedia	Zwischenflansch	Intermed. flange	Bride intermed.
5.	313007301	Albero femmina scanalato	Welle	Shaft	Arbre
6.	32301020	Pignone conico i=4.62	Konisches ritzel	Bevel pinion	Pignon conique
7.	324001313	Corona conica i=4.62	Tellerrad	Bevel Crown wheel	Couronne conique
8.	362048400	Spessore	Zwischenscheibe	Shim	Epaisseur
9.	362048400	Spessore	Zwischenscheibe	Shim	Epaisseur
10.	362008400	Spessore	Zwischenscheibe	Shim	Epaisseur
11.	362009400	Spessore	Zwischenscheibe	Shim	Epaisseur
12.	422105000	Cuscinetto 33212	Lager	Bearing	Roulement
13.	422103000	Cuscinetto 30212	Lager	Bearing	Roulement
14.	422126000	Cuscinetto 32014	Lager	Bearing	Roulement
15.	422106000	Cuscinetto 30312	Lager	Bearing	Roulement
16.	412326000	O-ring 2-242	O-ring	O-ring	Joint torique
17.	412198000	O-ring 2-162	O-ring	O-ring	Joint torique
18.	412214000	O-ring 2-172	O-ring	O-ring	Joint torique
19.	411279001	Anello T.R.BA60x85x10	Dichtring	Oil seal	Joint d'etanch.
20.	435166000	Linguetta A 16x10x55	Passfeder	Key	Clavette
21.	435153000	Linguetta A 14x9x70	Passfeder	Key	Clavette
22.	462105000	Vite	Schraube	Screw	Vis
23.	461128000	Vite	Schraube	Screw	Vis
24.	461120000	Vite	Schraube	Screw	Vis
25.	467011001	Vite	Schraube	Screw	Vis
26.	461104000	Vite	Schraube	Screw	Vis
27.	467011001	Rosetta 10.5x18x2	Scheibe	Washer	Rondelle
28.	433163000	Anello di spallamento SB 85	Schulterring	Retaining ring	Anneau-butée





RIDUZIONE EM 1150 - GETRIEBESTUFE EM 1150 - REDUCTION STAGE EM 11 50 - REDUCTION EM 1150

1.	320028211	Corona	Hohlrad	Ring-gear	Couronne
2.	327176403	Solare	Ritzel	Pinion	Pignon
3.	327178403	Solare	Ritzel	Pinion	Pignon
4.	327339303	Solare	Ritzel	Pinion	Pignon
5.	431061000	Anello seeger	Seegerring	Circlip	Joint torique
6.	412511000	O-ring	O-ring	O-ring	O-ring
7.	21E923V3	Riduzione EM 1150	Getriebestufe EM 1150	Reduction stage EM 1150	Reduction EM 1150
8.	21E925V3	Riduzione EM 1150	Getriebestufe EM 1150	Reduction stage EM 1150	Reduction EM 1150
9.	21E927V3	Riduzione EM 1150	Getriebestufe EM 1150	Reduction stage EM 1150	Reduction EM 1150



## SUPPORTO USCITA RPR 1150 - ABTRIEBSGEHAEUSE RPR 1150 - OUTPUT SUPPORT RPR 1150 - SUPPORT DE SORTIE RPR 1150

1.	900000700	Supporto	Abtriebsgehaeuse	Support	Support
2.	900000600	Albero RPR 1150	Welle RPR 1150	Shaft RPR 1150	Arbre RPR 1150
3.	363751408	Distanziale	Distanzring	Spacer	Entretoise
4.	363806000	Distanziale	Distanzring	Spacer	Entretoise
5.	389489000	Rondella	Unterlegscheibe	Washer	Rondelle
6.	422207000	Cuscinetto	Lager	Bearing	Roulement
7.	422195000	Cuscinetto	Lager	Bearing	Roulement
8.	415124000	Nilos	Dichtring(Nilos)	Nilos ring	Bague nilos
9.	411357000	Anello tenuta radiale	Dichtring	Oil seal	Joint d'etancheite
10.	432106000	Anello seeger	Seegering	Circlip	Circlips
11.	472021000	Rosetta di sicurezza MB20	Sicherungsscheibe MB20	Tab washer MB20	Rondelle de securite MB20
12.	471021000	Ghiera KM20	Nutmutter KM20	Lock nut KM20	Ecrou de securite KM20
13.	431847001	Rondella	Unterlegscheibe	Washer	Rondelle
14.	431847001	Rondella	Unterlegscheibe	Washer	Rondelle
15.	438430401	Spina	Stift	Pin	Goupille
16.	462153000	Vite	Schraube	Screw	Vis
17.	451044000	Tappo	Stopfen	Plug	Bouchon
18.	417003001	Rondella	Unterlegscheibe	Washer	Rondelle
19.	451320000	Ingrassatore	Schmiernippel	Grease nipple	Graisseur
20.	451700000	Raccordo	Verbindungsstueck	Nipple	Raccord
21.	451803000	Raccordo	Verbindungsstueck	Nipple	Raccord
22.	379820300	Tubo	Rohr	Pipe	Tuyau
23.	375024400	Raccordo	Verbindungsstueck	Nipple	Raccord





**CRONO S.r.l.**

Via Corvione 20, Isorella (BS) Italia. Tel. 030/9952323 – 24, Fax 030/9952325  
Email [info@luclar.it](mailto:info@luclar.it) Sito Web [www.luclar.it](http://www.luclar.it)